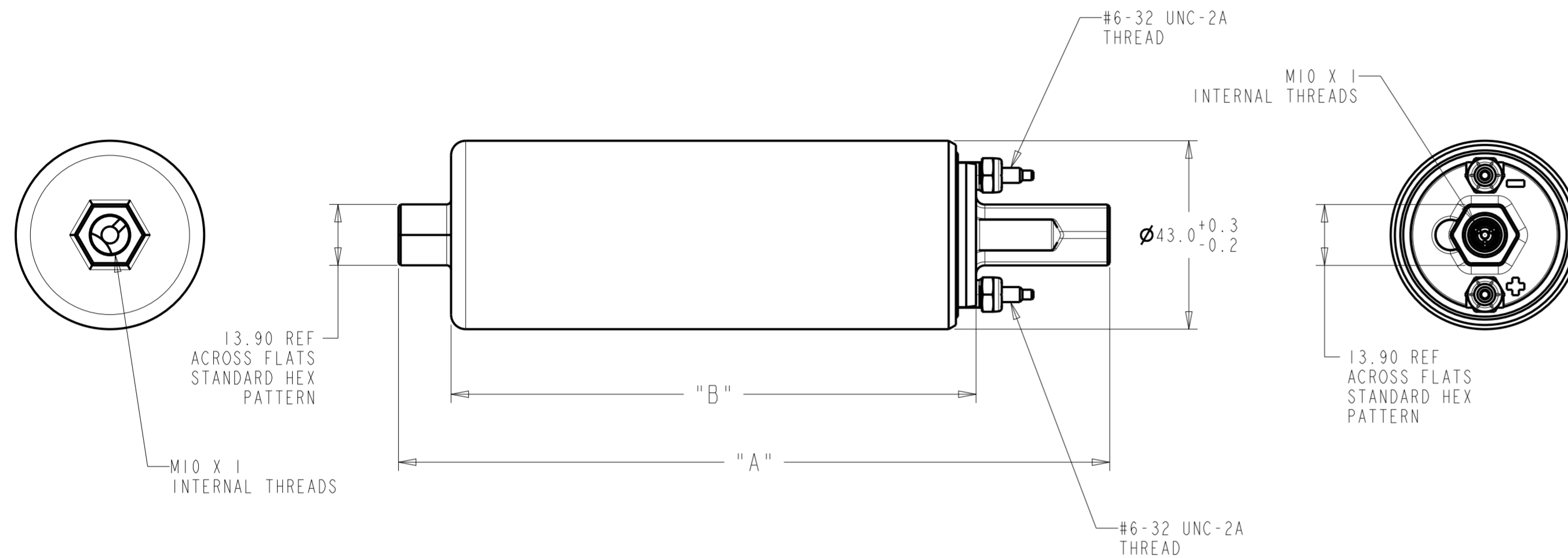


REVISIONS						
ZONE	LTR	DESCRIPTION	CHANGE No	DATE	BY	APPR'D
	AA	INITIAL RELEASE	---	17MAY19	RMB	AP



P/N	GSL392	GSL396
DIM "A"	161.0 mm	162.3 mm
DIM "B"	118.5 mm	119.8 mm

KEY PRODUCT CHARACTERISTICS				
REFER TO TI AUTOMOTIVE GLOBAL ADVANCED QUALITY PLANNING DOCUMENT CP-4-ALL-411 FOR THE CLASSIFICATION AND CONTROL OF KEY PRODUCT CHARACTERISTICS				
TYPE OF CHARACTERISTIC	SAFETY	REGULATORY	FUNCTION	FUNCTION PROCESS
NUMBER PER EACH CHARACTERISTIC	---	---	---	---
TOTAL NUMBER OF CHARACTERISTICS	---	---	---	---

- TI AUTOMOTIVE CONFIDENTIAL AND PROPRIETARY -  
 THIS DRAWING IS PROPERTY OF TI AUTOMOTIVE. TI AUTOMOTIVE CLAIMS PROPRIETARY RIGHTS IN THE SUBJECT MATTER SHOWN AND DESCRIBED ON THIS DRAWING AND RETAINS ALL INTELLECTUAL PROPERTY RIGHTS. THE DRAWING IS PROVIDED FOR REFERENCE PURPOSES ONLY AND ON THE EXPRESS CONDITION THAT IT WILL BE HELD IN CONFIDENCE. THIS DRAWING SHALL NOT BE DISCLOSED TO OTHERS OR USED FOR THE PURPOSE OF MANUFACTURE BY OR PROCUREMENT FROM OTHERS OF THE ARTICLE OR PART SHOWN WITHOUT TI AUTOMOTIVE'S EXPRESS WRITTEN CONSENT. NO LICENSE OR OTHER RIGHT IS GIVEN OR IMPLIED BY THE PROVISION OF THIS DRAWING TO RECIPIENT.  
 COPYRIGHT, TI AUTOMOTIVE 2018. ALL RIGHTS RESERVED.

METRIC  
ALL DIMENSIONS ARE IN MILLIMETERS

DO NOT SCALE  
DECIMAL TOLERANCES UNLESS OTHERWISE SPECIFIED  
~~ONE PLACE ±0.25 TWO PLACE ±0.13 ANGLES ±1°~~

THIRD ANGLE PROJECTION  
 DIMENSIONS IN ACCORDANCE WITH ASME Y14.5 - 2009

630 COLUMBIA ST.  
 CARO, MI 48723  
 +1 989.673.7727

ENGINEER:	A. PECKHAM	15MAY2019	MATERIAL/SPECIFICATION: SEE NOTES
DESIGNER:	R. BRUBAKER	15MAY2019	
CAD SYSTEM: PRO/E	SCALE: 1:1	SHEET NO.   OF	
REFERENCE ID/REV.:	2D PLM REFERENCE/REV.:		
REFERENCE ID/REV.:	3D PLM REFERENCE/REV.:		
DRAWING NAME: FUEL PUMP - GSL INLINE			
SIZE: A2	DRAWING NUMBER: GSL - FAMILY		